



SPECIAL HOT FORGED FASTENERS

THE PROMISE OF QUALITY & VALUE





Raw Material

Unified Numbering System (UNS)

Common Trade Name

Alloy C276	UNS N10276	Hastelloy C-276
Alloy 22	UNS N06022	Hastelloy C-22
Alloy B2	UNS N10665	Hastelloy B-2
Alloy 200	UNS N02200	Nickel 200
Alloy 201	UNS No2201	Nickel 201
Alloy 400	UNS N04400	Monel 400
Alloy K500	UNS N05500	Monel K-500
Alloy 600	UNS N06600	Inconel 600
Alloy 601	UNS N06601	Inconel 601
Alloy 625	UNS N06625	Inconel 625
Alloy 718	UNS N07718	Inconel 718
Alloy 800HT	UNS N08811	Incoloy 800HT
Alloy 825	UNS N08825	Incoloy 825
Alloy 925	UNS N09925	Incoloy 925
Alloy A-286	UNS S66286	Incoloy A-286, A-286 Stainless
Ti-Gr-2	UNS R50400	Titanium Grade 2
Ti-6AV-4V	UNS R56400	Titanium Grade 5
Ti-Gr-7	UNS R52400	Titanium Grade 7
6% Molybdenum Alloy	UNS S31254	Alloy 254SMO
6% Molybdenum Alloy	UNS N08926	Alloy 25-6Mo, Alloy 926
6% Molybdenum Alloy	UNS N08367	AL-6XN
Alloy 209	UNS S20910	Nitronic 50 (XM-19)
Alloy 2205	UNS S32205/S31803	Duplex 2205
Alloy 2507	UNS S32750	Super Duplex 2507
Alloy 310S	UNS S31008	Stainless Steel 310S
Alloy 321	UNS S32100	Stainless Steel 321 / B8T
Alloy 317L	UNS S31703	Stainless Steel 317L
Alloy 904L	UNS N08904	Stainless Steel 904L)
Alloy 32760	UNS S32760	Super Duplex S32760
Alloy C65500	UNS C65500	Silicon Bronze.
Alloy C65100	UNS C65100	Silicon Bronze.
Alloy C61400	UNS C61400	Aluminium Bronze.
Alloy C63200	UNS C63200	Aluminium Bronze.
Alloy PB102	UNS C51000	Phosphorus Bronze.
CuZn39Pb3	UNS C38500	Free Cutting Brass.
Alloy C71500	UNS C71500	Cupro Nickel 70/30.
Alloy C70600	UNS C70600	Cupro Nickel 90/10.
Alloy 304L	UNS S30400	Stainless Steel 304L / B8
Alloy 316L	UNS S31600	Stainless Steel 316L / B8M
Alloy 347	UNS S34709	Stainless Steel 347 / B8C
Alloy 410	UNS S41000	Stainless Steel 410 / B6.



Hex Bolts & Hex Screws DIN 931 / ISO4014 & DIN 933/ISO4017

Our range of Hex Bolts & Hex Screws are widely used for high-end industrial purpose and automobile industry. These are acknowledged for wear & tear resistance, cost effectiveness, and long functional life. The Hex Head Bolts offered by us are at par with international quality standards. These are available in various shapes and sizes, and other customized forms as per client's specifications and details. We offer these bolts in various grades to suit the application area at industry Competitive prices.

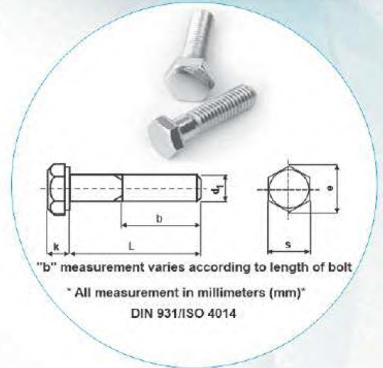
Stainless steel :- 304 (B8), 316 (B8M), 316 L, 316 Ti, 317 L, 310, 321H (B8T), 347H (B8C), SS 410 (B6), 904 L (UB6), A 453 GR 660 A/B/C & D

Duplex & Super Duplex Steel :- UNS S31803 / UNS S32205 (F 51), UNS S32750 (F 53), UNS S32760 (F 55), UNS S31254 (SMO 254)

High Nickel Alloys :- Monel 400, Monel K 500, Incoloy 600, Incoloy 625, Incoloy 800H, Incoloy 825, Incoloy 718, Inconel X – 750, Alloy 20 (CB 20), Hastelloy C 276, Hastelloy C 22, Hastelloy C 4

Other Alloys :- Titanium Gr 2, Titanium Gr 5, Titanium Gr 7, Aluminium Bronze (AB 2), phosphorous Bronze (PB), Silicon Bronze C651/C655

Dimension range :- 5/16" (M6) up to 4" (M100) for all grades



Threaded Rods: DIN 975 & DIN 976

Stainless steel :- 304 (B8), 316 (B8M), 316 L, 316 Ti, 317 L, 310, 321H (B8T), 347H (B8C), SS 410 (B6), 904 L (UB6), A 453 GR 660 A/B/C & D

Duplex & Super Duplex Steel :- UNS S31803 / UNS S32205 (F 51), UNS S32750 (F 53), UNS S32760 (F 55), UNS S31254 (SMO 254)

High Nickel Alloys :- Monel 400, Monel K 500, Incoloy 600, Incoloy 625, Incoloy 800H, Incoloy 825, Incoloy 718, Inconel X – 750, Alloy 20 (CB 20), Hastelloy C 276, Hastelloy C 22, Hastelloy C 4

Other Alloys :- Titanium Gr 2, Titanium Gr 5, Titanium Gr 7, Aluminium Bronze (AB 2), phosphorous Bronze (PB), Silicon Bronze C651/C655

Dimension range :- 5/16" (M6) up to 4" (M100) for all grades



U-Bolts

We are able to provide extensive range of U-Bolts. The precision engineered range of U-Bolts offered by us are at par with international quality standards and available in various grades, sizes, thicknesses, and dimensions as per the industry related application. Besides, we also offer these U-Bolts with extra long nuts and in full round, half round and square profiles on client's request.

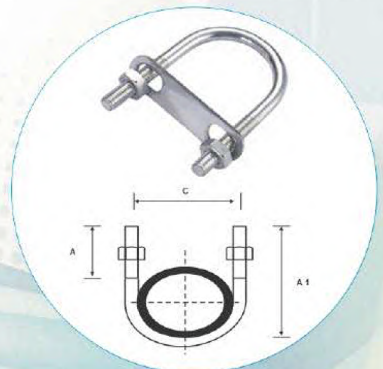
Stainless steel :- 304 (B8), 316 (B8M), 316 L, 316 Ti, 317 L, 310, 321H (B8T), 347H (B8C), SS 410 (B6), 904 L (UB6), A 453 GR 660 A/B/C & D

Duplex & Super Duplex Steel :- UNS S31803 / UNS S32205 (F 51), UNS S32750 (F 53), UNS S32760 (F 55), UNS S31254 (SMO 254)

High Nickel Alloys :- Monel 400, Monel K 500, Incoloy 600, Incoloy 625, Incoloy 800H, Incoloy 825, Incoloy 718, Inconel X – 750, Alloy 20 (CB 20), Hastelloy C 276, Hastelloy C 22, Hastelloy C 4

Other Alloys :- Titanium Gr 2, Titanium Gr 5, Titanium Gr 7, Aluminium Bronze (AB 2), phosphorous Bronze (PB), Silicon Bronze C651/C655

Dimension range :- 5/16" (M6) up to 4" (M100) for all grades



Features :

- Accurate Dimension
- Corrosion Resistance
- High Efficiency
- High tensile Strength Durability

Application Area :

- Pipe Clamping
- Foundation Support
- Installations and automotive support systems

Socket Head Allen Cap Screws

Stainless steel :- 304 (B8), 316 (B8M), 316 L, 316 Ti, 317 L, 310, 321H (B8T), 347H (B8C), SS 410 (B6), 904 L (UB6), A 453 GR 660 A/B/C & D

Duplex & Super Duplex Steel :- UNS S31803 / UNS S32205 (F 51), UNS S32750 (F 53), UNS S32760 (F 55), UNS S31254 (SMO 254)

High Nickel Alloys :- Monel 400, Monel K 500, Incoloy 600, Incoloy 625, Incoloy 800H, Incoloy 825, Incoloy 718, Inconel X – 750, Alloy 20 (CB 20), Hastelloy C 276, Hastelloy C 22, Hastelloy C4.

Other Alloys :- Titanium Gr 2, Titanium Gr 5, Titanium Gr 7, Aluminium Bronze (AB 2), Phosphorous Bronze (PB), Silicon Bronze C651/C655

Dimension range :- 5/16" (M6) up to 4" (M100) for all grades

Hexagonal Nut

Hexagon Nuts are Designed to perfection, these nuts possess close tolerance and precision dimensions. Our quality controllers undertake stringent quality measures in order to provide our clients a flawless range of nuts. Further, to retain the trust of our valued clients, we also provide them with certificate regarding testing parameters undertaken by our organization.

We offer our range of Hexagon Nuts in various sizes, thicknesses & dimensions, and material grades. These nuts meet the requirements of hardware, engineering, electrical and various other industries. We also customize our range of Hexagonal Nuts to meet the different requirements of our clients. Further, our range can be availed at market competitive prices.

Stainless steel :- 304 (B8), 316 (B8M), 316 L, 316 Ti, 317 L, 310, 321H (B8T), 347H (B8C), SS 410 (B6), 904 L (UB6), A 453 GR 660 A/B/C & D

Duplex & Super Duplex Steel :- UNS S31803 / UNS S32205 (F 51), UNS S32750 (F 53), UNS S32760 (F 55), UNS S31254 (SMO 254)

High Nickel Alloys :- Monel 400, Monel K 500, Incoloy 600, Incoloy 625, Incoloy 800H, Incoloy 825, Incoloy 718, Inconel X – 750, Alloy 20 (CB 20), Hastelloy C 276, Hastelloy C 22, Hastelloy C4

Other Alloys :- Titanium Gr 2, Titanium Gr 5, Titanium Gr 7, Aluminium Bronze (AB 2), phosphorous Bronze (PB), Silicon Bronze C651/C655

Dimension range :- 5/16" (M6) up to 4" (M100) for all grades

Plain Washers

We manufacture range of Plain Washers in different size options, dimensions, and finishes to suit different industrial applications. These are in high demands in the competitive market owing to their dimensional accuracy, high tensile strength, abrasion resistance, flawless finish, and durability. Our range of Plain Washer is quality tested on well defined parameters by our team of quality controllers. We also manufacture different types of washers as well i.e Tab Washers, Heavy Duty Washers, Tooth Washers, etc. To satisfy our clients fully, we also provide them with testing certificate. Our plain washers are also available in customized forms and at market competitive price.

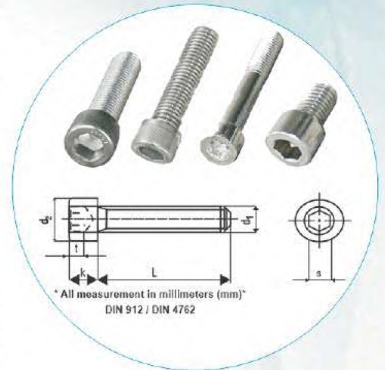
Stainless steel :- 304 (B8), 316 (B8M), 316 L, 316 Ti, 317 L, 310, 321H (B8T), 347H (B8C), SS 410 (B6), 904 L (UB6), A 453 GR 660 A/B/C & D

Duplex & Super Duplex Steel :- UNS S31803 / UNS S32205 (F 51), UNS S32750 (F 53), UNS S32760 (F 55), UNS S31254 (SMO 254)

High Nickel Alloys :- Monel 400, Monel K 500, Incoloy 600, Incoloy 625, Incoloy 800H, Incoloy 825, Incoloy 718, Inconel X – 750, Alloy 20 (CB 20), Hastelloy C 276, Hastelloy C 22, Hastelloy C4

Other Alloys :- Titanium Gr 2, Titanium Gr 5, Titanium Gr 7, Aluminium Bronze (AB 2), phosphorous Bronze (PB), Silicon Bronze C651/C655

Dimension range :- 5/16" (M6) up to 4" (M100) for all grades





ANCHORS

REFRACTORY ANCHOR SYSTEMS

We manufacture a wide range of refractory anchor fixings to suit any particular application for retaining castable and brick installations.

- Refractory Anchors
- Refractory Brick Fixings
- Special Fixings and Special Fabrications

Manufactured from round bar or plate section, the anchors are available in a number of standard shapes. They are fixed with a thread or a weld, and can be supplied with a weld foot. The fixings are available in the full range of stainless steels and alloys, and can be made to suit any depth of lining.

CAST-IN ANCHORS

'Y' Anchors

These anchors are manufactured from 5-12mm diameter bar or from plate section. 'Y' anchors made from roundbar can be supplied open to any angle, with a plain end, weld leg or thread. The tips can be fitted with plastic caps to enable expansion of the tips at temperature. 'Y' anchors from plate section can be supplied open to any angle, or supplied closed for installation of pre-drilled fibreboard or other initial layers prior to opening on site.

Anchors can also be supplied pre-welded to a mild steel base plate for ease of installation on site.



" Y " ANCHORS

'V' Anchors

Manufactured from bar diameter 5-12mm. The anchor legs can be supplied to individual requirements with odd lengths, with bends or crimps, and with plastic end caps.



" V " ANCHORS

ANCHORS ARE MANUFACTURED IN BELOW GRADES-

GRADES:

- SS 304/304L ● SS 310 ● SS 321/321H ● SS 330
- INCONEL 600 ● INCONEL 601 ● INCONEL 800

REFRACTORY FIXINGS

ANCHORS FOR BRICK INSTALLATION

A range of refractory fixings for brick installations is available. The anchors are designed to fit refractory bricks, and can be made to customers' specifications to suit any furnace brick. The range includes brick hooks made from bar, C-clips manufactured from plate and 'scissor clips'.

OTHER PRODUCTS

Stainless steel :- 304 (B8) , 316 (B8M) , 316 L , 316 Ti , 317 L , 310 , 321H (B8T) , 347H (B8C) , SS410 (B6) , 904 L (UB6) , A 453 GR 660A/B/C & D

Duplex & Super Duplex Steel :- UNS S31803 / UNS S32205 (F 51) , UNS S32750 (F 53) , UNS S32760 (F 55) , UNS S31254 (SMO254)

High Nickel Alloys :- Monel 400 , Monel K 500 , Incoloy 600 , Incoloy 625 , Incoloy 800H , Incoloy 825 , Incoloy 718 , Inconel X – 750 , Alloy 20 (CB 20) , Hastelloy C 276 , Hastelloy C 22 , Hastelloy C4.

Other Alloys :- Titanium Gr 2 , Titanium Gr 5 , Titanium Gr 7 , Aluminium Bronze (AB 2) , Phosphorous Bronze (PB) , Silicon Bronze C651/C655

Dimension range :- 5/16" (M6) up to 4" (M100) for all grades



HEX HEAD PLUGS

IN GRADES - STAINLESS STEEL 304 L , 316 L , 310 , 321 , 347 . AISI 904 L , MONEL 400 / K - 500 , INCONEL 600 / 625 / 800 / 825 / 925 , HASTELLOY C 22/ C 276 , DUPLEX UNS S 31803 , SUPER DUPLEX UNS 32750 / 32760 , Silicon Bronze C651/C655

Diameter :- 1/8" to 4"



BELLIVELLE WASHERS

We manufacture Belleville washer in imperial as well as metric sizes. Belleville washers also called conical spring washers are manufactured as per DIN 6796 & DIN 6908. The Belleville washers are designed specifically for Heavy Duty Bolted section such as Bus Bars, Transformers, Rectifiers, Heat Exchangers, Transmission etc. These washers are intended to counteract the effect of setting which results in bolt/nut assemblies working loose. They do not effectively prevent loosening of the assembly under varying radial load and are designed for use with short bolts predominantly subject to thrust. Belleville washers are high stressed components and cannot be used for dynamic loading and infrequent varying load applications. The force give in the table below is approximate.

Conical Spring washers as per DIN 6908 are intended for use with screw and washer assemblies as specified in DIN 6900 part 5. They are designed to use with bolted connections with bolts of property classes 8.8 to 10.9 (as specified in ISO 898 Part 1). Our Belleville Washers are tested as per DIN 6796 and DIN 267 Part 26.

GRADES:

● 17-4PH ● INCONEL 718 ● INCONEL X750

